



ONTRUCK INDIA
EQUIPMENT PRIVATE LTD

HYE BOOM LIFT 130 A

AERIAL PLATFORM

Working height 13M equipment!

It is a device made based on a higher range of work and safety



BUILDING NO. 22, J. K. INDUSTRIAL PARK, DHAMATVAN, AHMEDABAD, GUJARAT,
PIN CODE: 382435

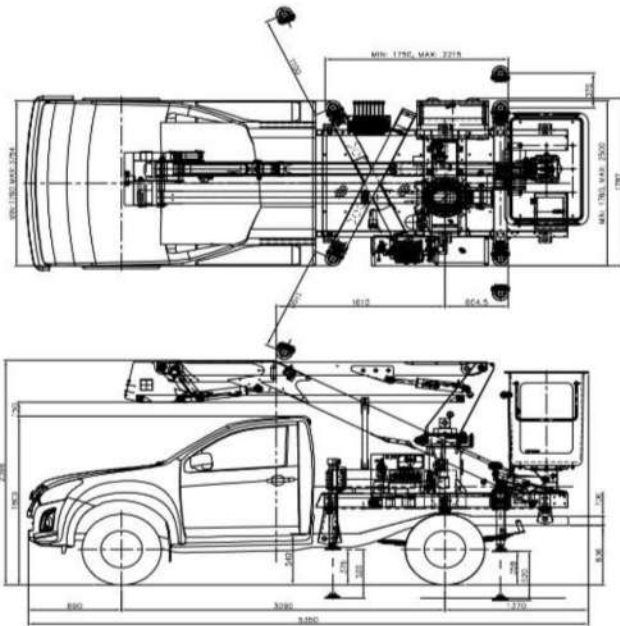
HYE BOOM LIFT 130 A

AERIAL PLATFORM

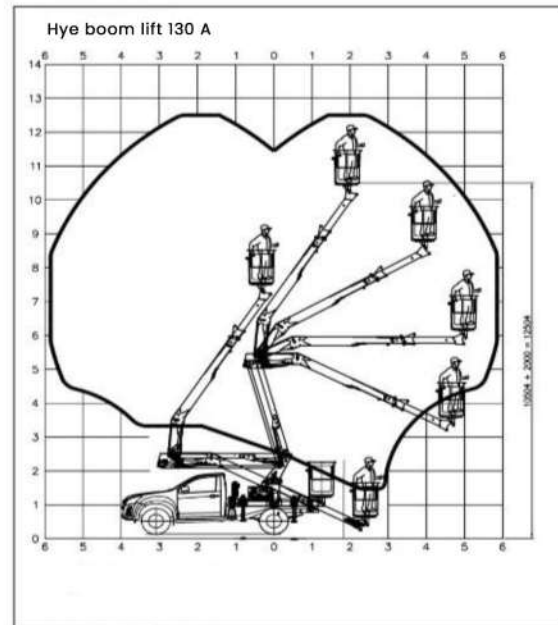


ONTRUCK INDIA
EQUIPMENT PRIVATE LTD

WORKING DIAGRAMS



WORKING DIAGRAMS



TECHNICAL DATA FOR Hye boom lift 130 A

	DESCRIPTION	UNIT	Hye boom lift 130 A
Equipment Specifications	Overall Length	mm	5,350
	Overall Width	mm	1,787
	Overall Height	mm	2,398
Working Specifications	Max. Working Height	m	10.5 + 2.0 = 12.5
	Max. Working Radius	m	5.58
Boom	Type	section	Square box / 3 rd
		method	1 Cylinder
Platform	Dimensions (L*W*H)	mm	1,200 x 800 x 1,000 (outer size)
	Materials	-	FRP
	Max. Platform Capacity (C)	kg	200
Outrigger System	Max. Expanded span (F)	m	X TYPE 3.75(individually control)
	Max. Expanded span (R)	m	H TYPE 2.50(individually control)
Turntable	Type		Hydraulic Motor Driven
	Turntable Slewing	deg	350
Hydraulics	Working Pressure	kg/cm ²	200
Safety Devices	Pressure relief valve for hydraulic circuit, Boomslaying and boom telescoping, leveling overcenter valve, Double pilot check valves for vertical outrigger, Auto leveling system, Bucket tilting system		