



**ONTRUCK INDIA**  
EQUIPMENT PRIVATE LTD

# HYE BOOM LIFT 200 A

AERIAL PLATFORM





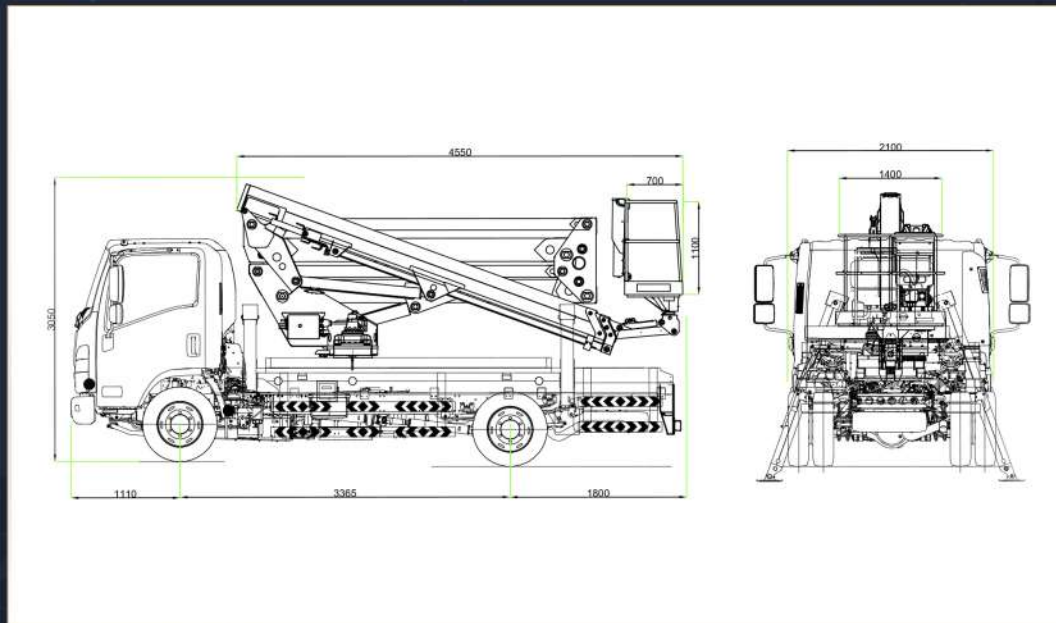
# **HYE BOOM LIFT 200 A**

## **AERIAL PLATFORM**

- **Articulated boom (two elements)**
- + telescopic boom (main boom + two extension)**
- **360° turret rotation on bearing turntable**
- **Proportional electro-hydraulic controls in the basket**
- **Electrohydraulic controls from the ground**
- **Engine start/stop control**  
**from the basket and from the ground**
- **Standard glass filled nylon base with aluminium frame**
- **60° right + 60° left hydraulic rotating basket**
- **Basket levelling by hydraulic parallelogram**
- **Emergency manual pump**
- **12V or 24V electric system available**
- **Nr. 04 hydraulic outriggers HS type (straight down)**
- **Basket dimension: 1400x700x1100 mm**
- **Hourmeter**

# HYE BOOM LIFT 200 A

AERIAL PLATFORM



**20 m\***



**250 kg**



**1400x700x1100  
mm**



**8 m\***



**18 m**



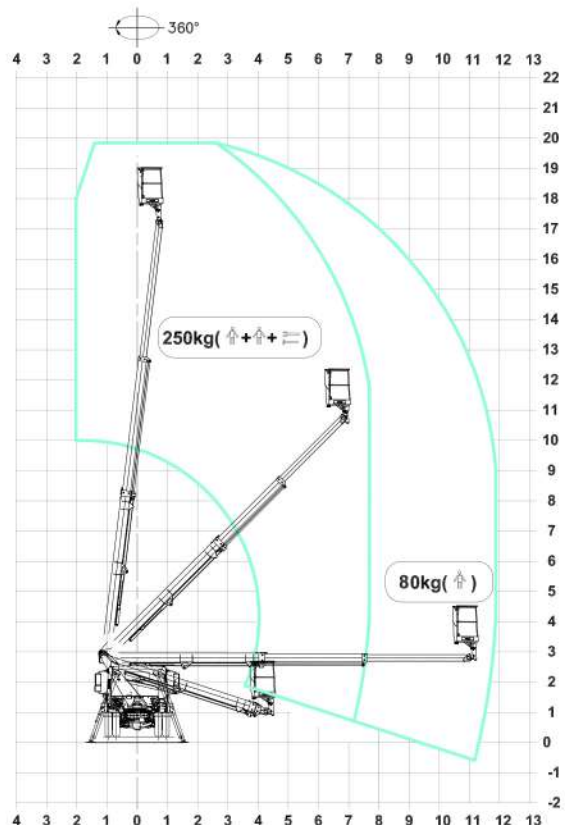
**GVW min 10 t**

**HYE-LIFT**

Building No. 22, J. K. Industrial Park  
Dhamatvan, Ahmedabad,  
Gujarat, India  
PIN Code: 382435

## HYE-LIFT T-200

### WORKING ENVELOPE





**ONTRUCK INDIA**  
EQUIPMENT PRIVATE LTD



# HYE BOOM LIFT 200 A

AERIAL PLATFORM

**HYE-LIFT**

Building No. 22, J. K. Industrial Park  
Dhamatvan, Ahmedabad,  
Gujarat, India  
PIN Code: 382435