



ONTRUCK INDIA
EQUIPMENT PRIVATE LTD

HYE BOOM LIFT 250 A

AERIAL PLATFORM



HYE-LIFT



ONTRUCK INDIA
EQUIPMENT PRIVATE LTD

HYE BOOM LIFT 250 A

AERIAL PLATFORM

- Articulated boom (two elements)
- + telescopic boom (main boom + two extensions)
- 360° turret rotation on bearing turntable
- Proportional electro-hydraulic controls in the basket
- Electrohydraulic controls from the ground
- Engine start/stop control
from the basket and from the ground
- Standard glass filled nylon base with aluminium frame
- 60° right + 60° left hydraulic rotating basket
- Basket levelling by hydraulic parallelogram
- Emergency manual pump
- 12V or 24V electric system available
- Nr. 04 hydraulic outriggers
- Basket dimension: 1400x700x1100 mm
- Hourmeter

HYE-LIFT



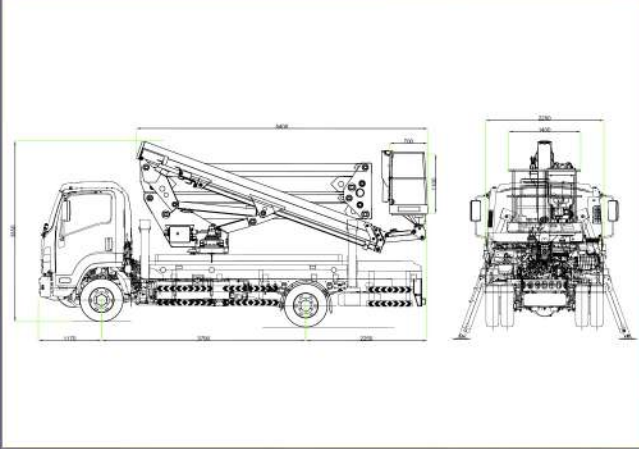


ONTRUCK INDIA
EQUIPMENT PRIVATE LTD

HYE BOOM LIFT 250 A

AERIAL PLATFORM

SPECIFICATION



25 m*



250 kg



**1400x700x1100
mm**



10 m*



23 m

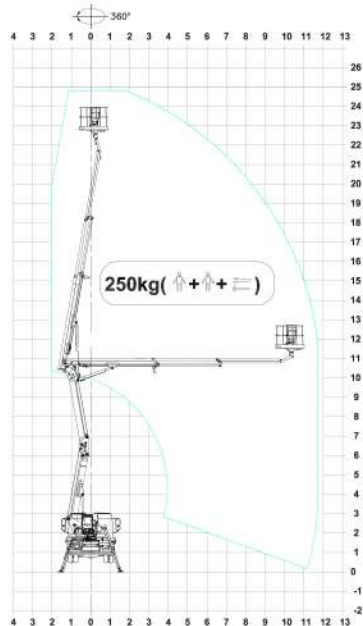
GW min

10 t

outreach and height max values
and repeatability
can change within $\pm 3\%$ due to
manufacturing variation and
working condition

HYE-LIFT Z-250

WORKING ENVELOPE





ONTRUCK INDIA
EQUIPMENT PRIVATE LTD

HYE BOOM LIFT 250 A

AERIAL PLATFORM

HYE-LIFT



Building No. 22, J. K. Industrial Park
Dhamatvan, Ahmedabad,
Gujarat, India
PIN Code: 382435