



**ONTRUCK INDIA**  
EQUIPMENT PRIVATE LTD

# **HYE BOOM LIFT 250**

**AERIAL PLATFORM**

**HYE-LIFT**



Building No. 22, J. K. Industrial Park, Dhamatvan, Ahmedabad, Gujarat, India  
PIN Code: 382435



## Main Technical Parameters

S. No	Parameter	Unit	Value
1	Vehicle Length	mm	5990
2	Vehicle Width	mm	2010
3	Vehicle Height	mm	2760
4	Total Mass	kg	5000
5	Passengers (Including Driver)	Person	2

## Main Performance Parameters

S. No	Specification	Unit	Value
1	Working Platform Load Rating	kg	200
2	Maximum Operating Height	m	25
3	Maximum Operating Range	m	13
4	Outrigger Span (Transverse)	mm	4500
5	Outrigger Span (Longitudinal)	mm	5000
6	Work Platform Rotation	°	360
7	Arm Amplitude Change Time	s	≥60
8	Arm Extension Time	s	≥120
9	Arm Rotation Speed	s/r	≥60
10	Outrigger Extension/Retraction Time	s	≥60

## Driving Parameters

S.No	Parameter	Unit	Value
1	Front Overhang	mm	1070
2	Rear Overhang	mm	1900
3	Wheelbase	mm	2800
4	Maximum Driving Speed	km/h	100
5	Minimum Ground Clearance	mm	200

## Configuration & Description

S.No	Component	Description
1	Chassis	QL1041DCFAY
2	Engine	4KB1-TCG60 2.5L/130HP
3	Cabin	Single row cab, 2 passengers, equipped with air conditioning.
4	Fence and Walkway	Stainless steel fence and aluminum alloy anti-slip walkway.
5	Power Take-Off System	Pneumatic power take-off.
6	Working Platform	1100 × 700 × 1100 mm platform (customizable).
7	Arm Structure	Six-section 16-sided synchronous telescopic arm.
8	Rotation Device	360° continuous rotation.
9	Outriggers	X-type outriggers, individually adjustable and synchronously extendable.
10	Operate & Emergency device	Fixed operation of the turntable, wireless remote control box operation, hydraulic handle operation of the vehicle, equipped with an electric emergency pump, the entire vehicle can achieve full hydraulic electric emergency operation.
11	Control System	CBR aerial vehicle control system with high stability.
12	Leveling System	Hydraulic automatic leveling.
13	chain extension force balance	Set up a balance mechanism for extending the rope to ensure that the force on the left and right leaf chain is same



**ONTRUCK INDIA**  
EQUIPMENT PRIVATE LTD

## Safety & Control Features

- Real-time outrigger load monitoring with alarm for instability.
- Automatic interlock to prevent simultaneous upper and lower operation.
- Emergency electric-hydraulic pump for safe return to ground.
- Dual emergency stops devices.
- Automatic working range limiter for safe operation.
- Vehicle level monitoring system.
- Remote and turntable engine start/stop control.
- Composite movement capability.
- Emergency operation function to safely bring personnel to ground.

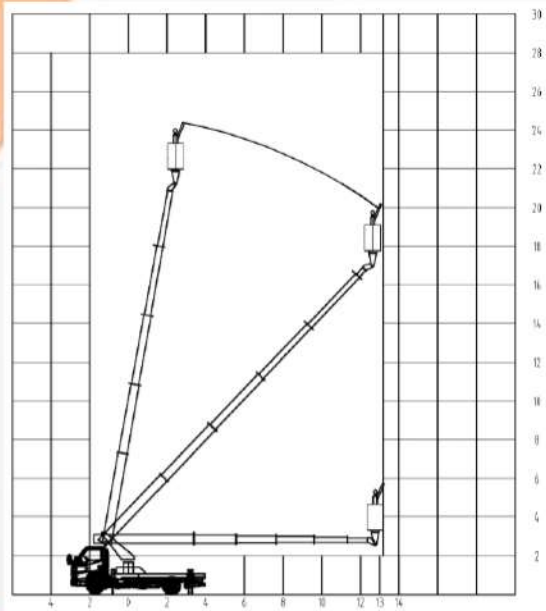
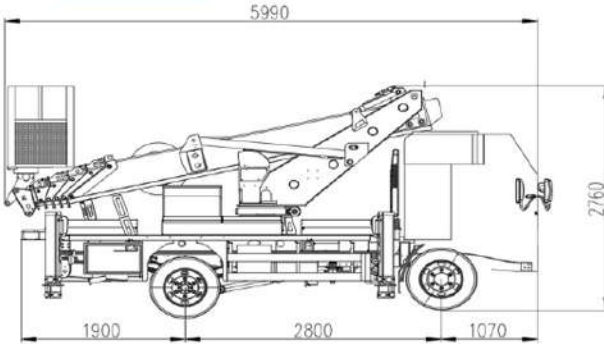
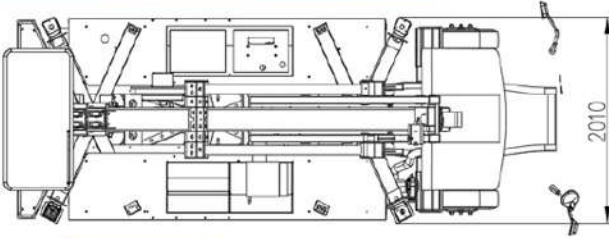


Intelligent remote control electronic control system



Level meter monitors balance status in real time







**ONTRUCK INDIA**  
EQUIPMENT PRIVATE LTD



American SUN brand balance valve and Italian brand composite reel



Lifting arm uses plate chain and arm status display system



Strict overload test procedures, dynamic overload 125%, static overload 150%  
no problems occurred in the natural environment



Foldable work platform suitable for various working scenarios

