



ONTRUCK INDIA
EQUIPMENT PRIVATE LTD



HYE BOOM LIFT 460

AERIAL PLATFORM



Building No. 22, J. K. Industrial Park, Dhamatvan, Ahmedabad, Gujarat, India
PIN Code: 382435

Main Technical Parameters

S. No	Parameter	Unit	Value
1	Vehicle Length	mm	9002
2	Vehicle Width	mm	2550
3	Vehicle Height	mm	3945
4	Total Mass	kg	16200
5	Passengers (Including Driver)	Person	3

Main Performance Parameters

S. No	Specification	Unit	Value
1	Working Platform Load Rating	kg	400
2	Maximum Operating Height	m	46
3	Maximum Operating Range	m	26
4	Outrigger Span (Transverse)	mm	7890
5	Outrigger Span (Longitudinal)	mm	6730
6	Work Platform Rotation	°	360
7	Arm Amplitude Change Time	s	≥120
8	Arm Extension Time	s	≥120
9	Arm Rotation Speed	s/r	120≤t≤160
10	Outrigger Extension/Retraction Time	s	≥80

Driving Parameters

S.No	Parameter	Unit	Value
1	Front Overhang	mm	1430
2	Rear Overhang	mm	2460
3	Wheelbase	mm	3950
4	Maximum Driving Speed	km/h	100
5	Minimum Ground Clearance	mm	200

Configuration & Description

S.No	Component	Description
1	Cabin	single row cab, Equipped with domestically produced ABs, 120L plastic fuel tank, leaf spring 7/10+4, multifunctional steering wheel, cruise control, NFH, air conditioning+electric doors and windows+central locking system, front and lower protection, engine with four cylinders and 16 valves,
2	Fence and Walkway	Stainless steel fence and aluminum alloy anti-slip walkway.
3	Power Take-Off System	Pneumatic power take-off.
4	Working Platform	3200 × 730 × 1050 mm platform (customizable).
5	Arm Structure	Seven-section 16-sided synchronous telescopic arm.
6	Rotation Device	360° continuous rotation.
7	Outriggers	X-type 3 outriggers, individually adjustable and synchronously extendable.
8	Operate & Emergency device	Fixed operation of the turntable, wireless remote control box operation, hydraulic handle operation of the vehicle, equipped with an electric emergency pump, the entire vehicle can achieve full hydraulic electric emergency operation.
9	Control System	CBR aerial vehicle control system with high stability.
10	Leveling System	Hydraulic automatic leveling.
11	chain extension force balance	Set up a balance mechanism for extending the rope to ensure that the force on the left and right leaf chain is same

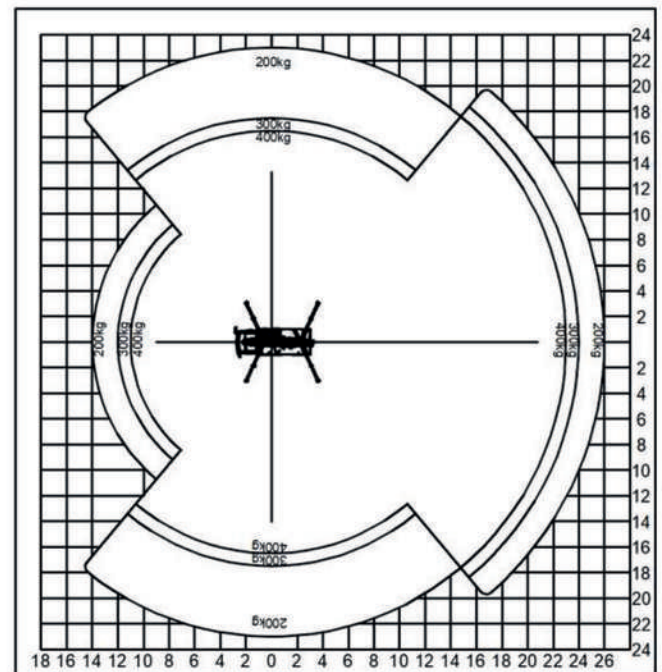
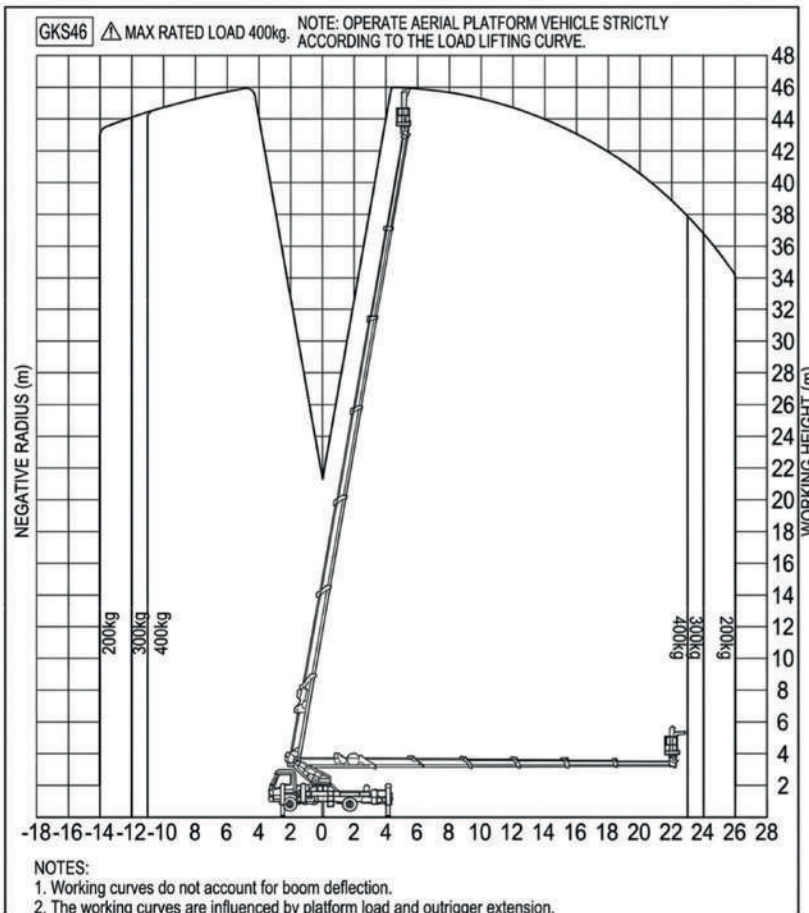


Intelligent remote control electronic control system



Level meter monitors balance status in real time





Safety & Control Features

- Real-time outrigger load monitoring with alarm for instability.
- Automatic interlock to prevent simultaneous upper and lower operation.
- Emergency electric-hydraulic pump for safe return to ground.
- Dual emergency stops devices.
- Automatic working range limiter for safe operation.
- Vehicle level monitoring system.
- Remote and turntable engine start/stop control.
- Composite movement capability.
- Emergency operation function to safely bring personnel to ground.



American SUN brand balance valve and Italian brand composite reel

Lifting arm uses plate chain and arm status display system



Strict overload test procedures, dynamic overload 125%, static overload 150%
no problems occurred in the natural environment

Foldable work platform suitable for various working scenarios



Customer satisfaction is our pursuit



Widely used in construction, advertising, electricity, greening and other industries